

VISKAR BIM – REBAR DIRECTION

MULTIPLE CHOICE QUESTIONS

1. What are the directions available in the Draw rebar dialog box?
 - a) Horizontal & Vertical
 - b) Edge Parallel
 - c) Edge Perpendicular
 - d) All the above

2. What is the default draw option in the Draw rebar dialog box?
 - a) Face
 - b) Range
 - c) Point
 - d) Pline

3. How many types of hook angles are available in Viskar BIM?
 - a) 3
 - b) 4
 - c) 5
 - d) 6

4. Can the hook length of the rebar be edited?
 - a) Yes
 - b) No

5. What are the values required to crank the rebar?
 - a) H value
 - b) H and K values
 - c) K values
 - d) None of the above

6. What are the rebar directions available, when multiple faces of an object are selected?

- a) Edge Parallel
- b) Horizontal and vertical
- c) Edge Perpendicular
- d) Edge parallel and Edge Perpendicular

7. Which of the following property cannot be copied using the assign properties?

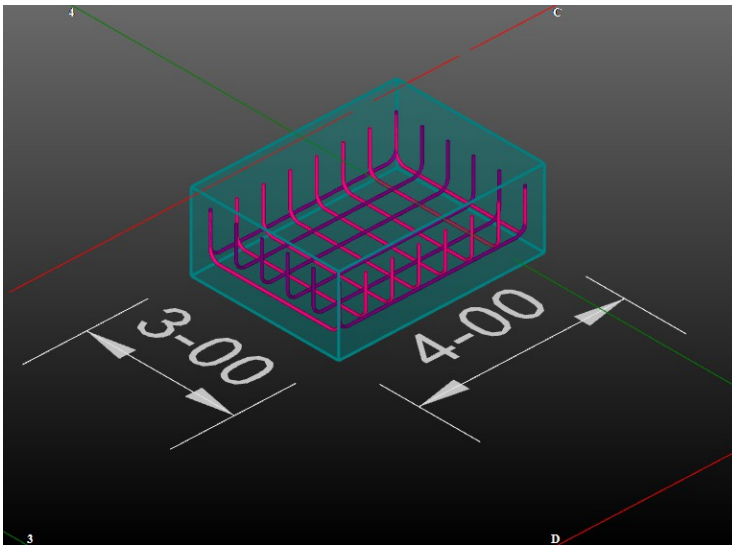
- a) Cover
- b) Element name
- c) Assembly mark, Material

8. Which of the following direction does not require a reference edge to be selected?

- a) Edge Parallel
- b) Edge Perpendicular
- c) Horizontal
- d) None of the above

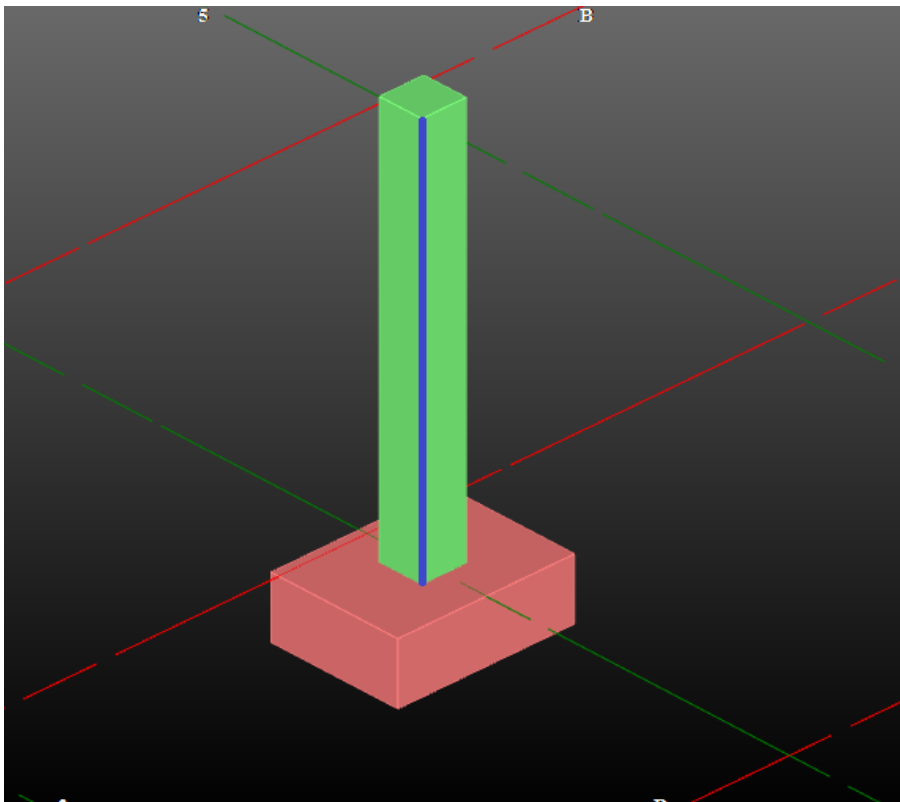
REBAR DIRECTION - EXERCISE

1. Model a rectangular footing (F1) of size 3-00 X 4-00 X 1-06 and model rebar in the bottom face using the horizontal & vertical direction. #5@7" BW



2. Model a square column of size 1-00 X 1-00 & height is 10'-0 and model rebar using the edge parallel direction & place the column on the F1

Reinforcement details: 3#7 each side of the column



EXCERCISE QUESTIONS

1. How many horizontal bars are modeled in the F1 footing?
2. The hook value can be edited after modeled the rebar.
 - a) True
 - b) False
3. What are the four directions available in Draw rebar dialog box?